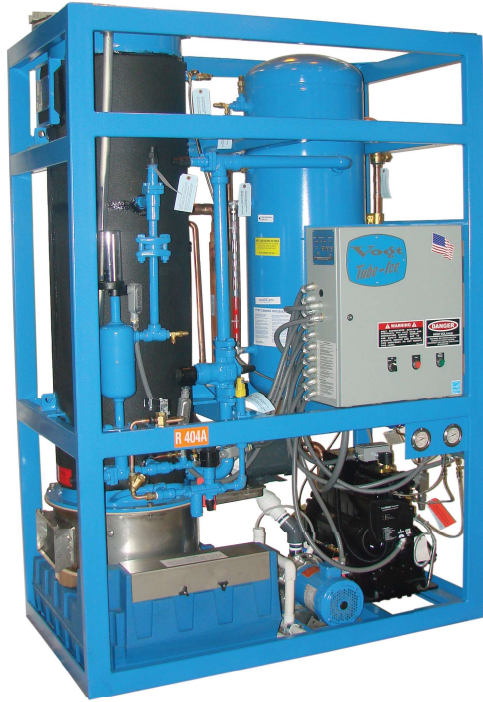


P118 SERIES TUBE-ICE MACHINE

P118F-1", P118F-1 1/4" & P118F-1 1/2"



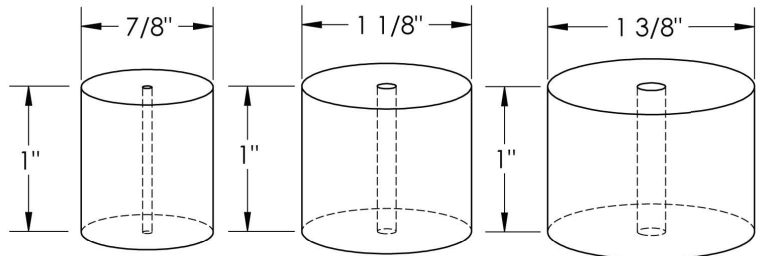
The P118 Series with a capacity of 5 tons of ice per day has been the choice of ice machine for thousands of food service, industrial, or startup packaged ice applications worldwide.

Heavy-duty industrial construction, automatic operation, energy efficiency and the best warranty in the business make the Vogt P118 Series the only "clear" choice for your ice making needs.

P118 Standard Features:

- ★ 25 Year Evaporator Warranty
- ★ Voltage - 208/230v.,3p.,60hz.
- ★ Refrigerant 404a
- ★ Highly efficient Copeland Discus compressor
- ★ Electronic ice bin thermostat
- ★ Water-cooled or remote air-cooled operation
- ★ Domestic crating for machine and condenser
- ★ Power monitor on 50hz units

P118 Tube-Ice Available in Three Ice Sizes:



Not to Scale

P118 Options:

- ★ Voltage - 460v.,3p.,60hz.
- ★ Voltage - 400v.,3p.,50hz.
- ★ Voltage - 200v.,3p.,50hz. or 230v.,3p.,50hz.
- ★ Voltage - 575v.,3p.,60hz.
- ★ High ambient air-cooled condenser
- ★ Electro-fin coated condenser
- ★ Condenser for sea water
- ★ PLC Control panel (programmable logic controller)
- ★ Dual Ice Feature (cylinder and crushed ice)
- ★ Cutter for 1-1/2" long ice
- ★ Cutter for crushed ice operation
- ★ Stainless steel casings
- ★ Remote switch box
- ★ Power monitor (for 60hz.)
- ★ "CE" Approval (400v, 50hz only)
- ★ Canadian Registration Number (CRN)
- ★ Export crating (ISPM-15 Rated)

Energy usage based on makeup water temperature of 70 °F. (21 °C.), ambient (air) temperature of 90 °F. (32 °C.). Capacity rating is average for the model. Individual machines may vary +/- 5%. Capacity based on ambient (air) temperature of 90 °F. (32 °C.). Capacity reduced 17% for 50hz. operation. Makeup water usage includes 20% blowdown.

Model	Machine Capacity						Energy Usage KWH/ 100 lbs	Water Usage					
	Make-Up Temperature							Ice Making				Condenser	
	50°F (10°C)		70°F (21°C)		90°F (32°C)			Gal/ 100lbs	Liters/ 100lbs	GPM	LPM	GPM	LPM
P118F - 1"	11,670	5293	11,000	4990	9,315	4225	14.5	54.9	1	3.79	15	56.8	
P118F - 1 1/4"	11,200	5080	10,000	4536	8,400	3810			0.94	3.56			
P118F - 1 1/2"	10,700	4853	9,500	4309	7,900	3583			0.93	3.52			

Vogt Ice LLC

1000 W. Ormsby Avenue
 Louisville, KY 40210
 (800) 853-8648, (502) 635-3000
 info@vogtice.com



www.vogtice.com

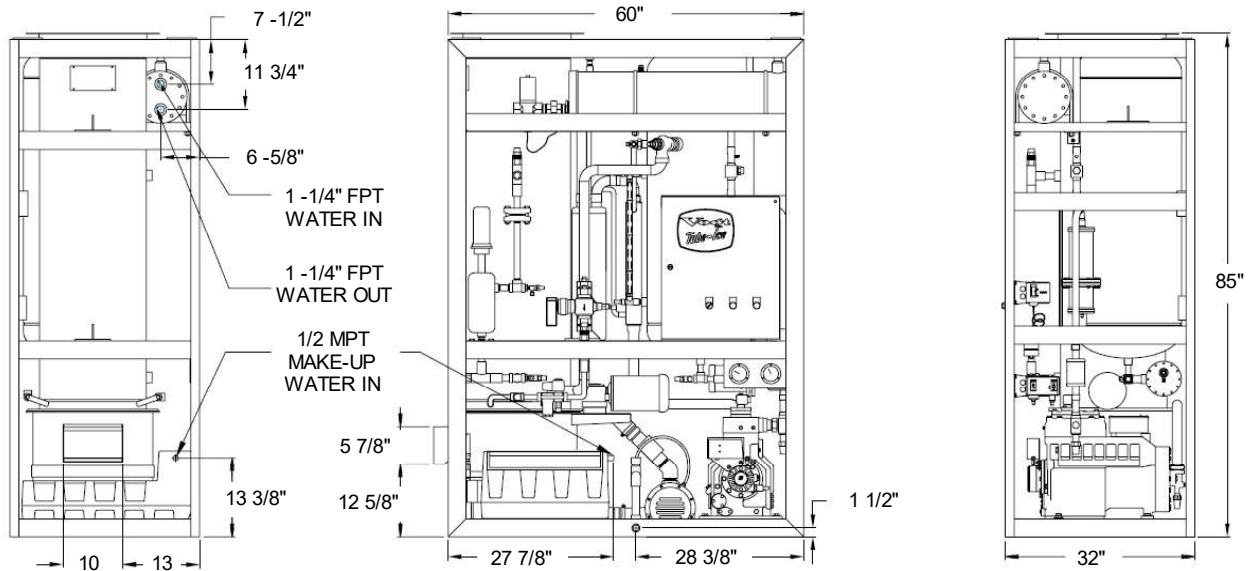




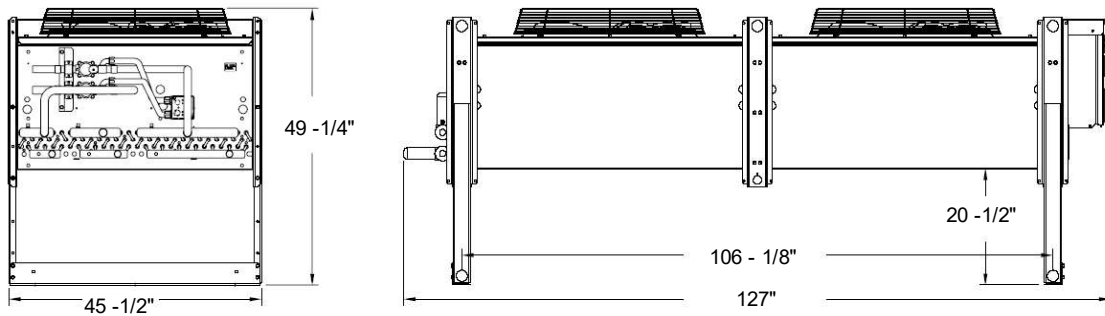
TubeIce | Turbo

P118 SERIES TUBE-ICE MACHINE

P118F-1", P118F-1 1/4" & P118F-1 1/2"



Condenser



Ice Machine Electrical Information

Voltage	Air Cooled			Water Cooled		
	F.L.A.	Min. Ampacity	Max. Fuse Size (Amps)	F.L.A.	Min. Ampacity	Max. Fuse Size (Amps)
208/230V, 3ph, 60hz	80.9	95.8	160	66.9	81.8	145
460V, 3ph, 60hz	39.7	46.9	80	32.7	39.9	70
200V, 3ph, 50hz	80.9	95.7	155	66.9	81.7	145
400V, 3ph, 50hz	40.2	47.4	80	33.2	40.4	70

Motor Information

Water Pump	Cutter Motor	Condenser Fan Motor(s)	Compressor
H.P.			
1 1/2	1/2	(qty 2) @ 1 1/2	10
			10

Machine Weights

	Ice Machine		Condenser	
	Lbs	Kg	Lbs	Kg
Shipping Weight	3300	1497	805	365
Operating Weight	2975	1349	680	308

Line Size Connections

Ice Making Water		1/2" MPT
Drain Connections		1" FPT
Condenser Water Lines	In	1 1/4" FPT
	Out	

Refrigerant Line Sizes from ice machine to condenser

See service manual or air-cooled condenser installation instruction packet.

Operating Conditions

The ice machine shall not be subjected to an atmospheric temperature lower than 50 ° F. (10 ° C.) nor higher than 90 ° F. (32 ° C.) without effect on performance. Water for condensing or ice making purposes shall be non-corrosive.

The water shall be at a constant pressure no less than 30lbs. at the ice machine location. The condition of the water to make satisfactory ice shall be the responsibility of the purchaser.